

DEXT 3.0

REDEFINING HIGH CEILING EXCELLENCE

Housing

Diameter : Ø17.86" | Height : 12.5" | Weight : 27 lbs

Material

Housing : High Pressure Die-Cast Aluminum
Lens : Clear Polycarbonate

Power Input

300W, 400W, 500W | 120-277V

Lumen Output

45,000lm (300W), 59,600lm (400W), 74,000lm (500W)

Dimming

Standard 0-10V : Dims to 10%

Color Quality

CRI 85

Rated Life

> 100,000 Hours (L70)

Finish



Black



White

Color Temperature



3000K



3500K



4000K



5000K

Optics



30°



50°



Wide

Mounting



Bracket



Stem
Mount



Uplight
Stem



Adjustable
Cable

Warranty

5 Year limited warranty

Listing



IK10



IP65

SPECIFICATION SHEET
STATIC WHITE OUTDOOR

Bright. Tough. Efficient.

Introducing Dext 3.0, a compact yet robust high ceiling luminaire that delivers up to 74,000 lumens with nearly 150 lm/W efficacy. Designed for performance and long-term value, it handles harsh environments with ease. Optional features include a glare-reducing shroud, IK10-rated wire guard, and IP65 outdoor configuration—making Dext 3.0 a durable and also an ideal choice for those seeking both quality and value.



METEOR

meteor-lighting.com

SPECIFICATION

PROJECT NAME

DATE

CATALOG #

QUANTITY

The product configurator function on this page works only with the latest version of Chrome or Adobe Acrobat Reader.

DS3	MODEL	DEXT 3.0 SERIES		
	WATTAGE	300 300W	400 400W	500 500W
	CCT / CRI	308 3000K / CRI 85 508 5000K / CRI 85	358 3500K / CRI 85	408 4000K / CRI 85
UNV	VOLTAGE	UNV 120 – 277V		
	DIMMING	NOD Non-Dimming	STV Standard 0-10V dims to 10%	
	BEAM ANGLE	30 30°	50 50°	WD¹ Wide
	FINISH	BLK Black	WHT White	
	MOUNTING	BRK Bracket UST2² Uplight Stem 2ft	ST2 Stem 2ft UST4² Uplight Stem 4ft	ST4 Stem 4ft AD10 Adjustable Cable 10ft
	RATING	OUT³ Outdoor Rating	NAT⁴ Natatorium Rating	
	ACCESSORIES	ALS^{5,6} Aluminum Shroud	WG^{6,7} Wire Guard (IK10 Rating)	

CLEAR FORM

¹ WD option reduces delivered lumens by ~20%
² UST is not compatible with 500, ALS, WG
³ Outdoor Rating: Coating and wiring will be changed to high UV resistant and corrosion resistant materials for long-term operation in outdoor environments
⁴ Natatorium Rating: Coating and sealant will be changed to high corrosion resistant materials to prevent damage from long-term exposure to chlorine vapors
⁵ ALS is not compatible with UST2, UST4 options
⁶ Option is not compatible with Diffuser
⁷ WG option reduces delivered lumens by ~14%, and WG is not compatible with ALS

TECHNICAL DETAILS

Electrical

- 45,000lm (300W), 59,600lm (400W), 74,000lm (500W)
- Power Input : Universal (120-277V)
- Operating Temperature : -22°F~113°F
- Surge Protection : Built-in is 4KV

LED Features

- Color Temperature : 3000K, 3500K, 4000K, 5000K
- CRI 85
- Long lasting LED luminaire tested under TM21 lumen maintenance L70 @ 100,000 Hrs

Optics

- Precision molded high transmittance clear PC lens
- Beam Angle : 30°, 50°, WD

Advanced Dimming

- Proprietary VX Driver™ is integrated across all dimming options, delivering video flicker-free performance and full compliance with IEEE 1789.
- Standard 0-10V : Dims to 10%

Housing

- Diameter : Ø17.86"
- Height : 12.5"
- Material : High Pressure Die-Cast Aluminum, PC Lens
- Weight : 27 lbs

Mounting

- Bracket
- Stem 2ft or 4ft; 45° Swivel Canopy Included
- Uplight Stem 2ft or 4ft
- Adjustable Cable 10ft

Warranty

- 5-year limited warranty

Listing

- ETL Wet Location Listed
- CE
- UKCA
- IK10 (With Wire Guard)
- IP65

PERFORMANCE SUMMARY*

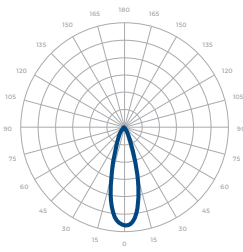
	Delivered Lumens			
CCT/WATTAGE	3000K	3500K	4000K	5000K
300W	42,500lm	43,100lm	43,700lm	45,000lm
400W	56,300lm	57,100lm	57,900lm	59,600lm
500W	70,000lm	71,000lm	72,000lm	74,000lm

*Beam Angle: 50° *Tolerance ±8%

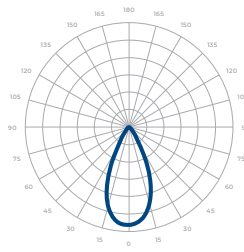
	Current Consumption	
WATTAGE / VOLT	120V	277V
300W	2.78A	1.21A
400W	3.71A	1.61A
500W	4.62A	2A

PHOTOMETRICS

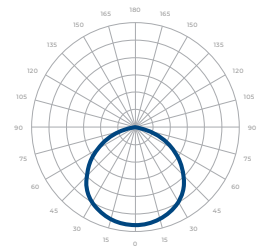
Below is a typical photometric representation of the Dext 3.0 fixture. Please download IES files to ensure exact photometric value.



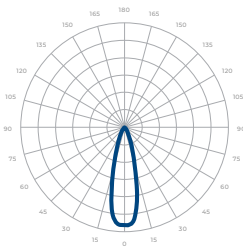
30°



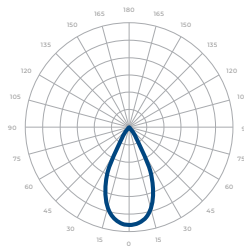
50°



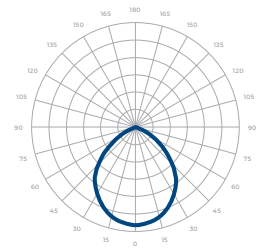
WD



30° with Aluminum Shroud

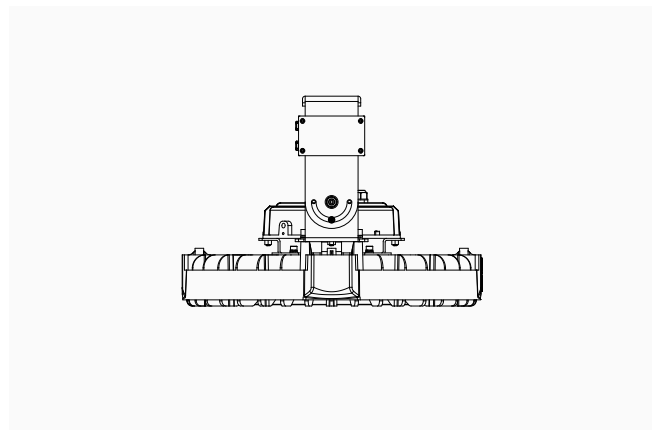
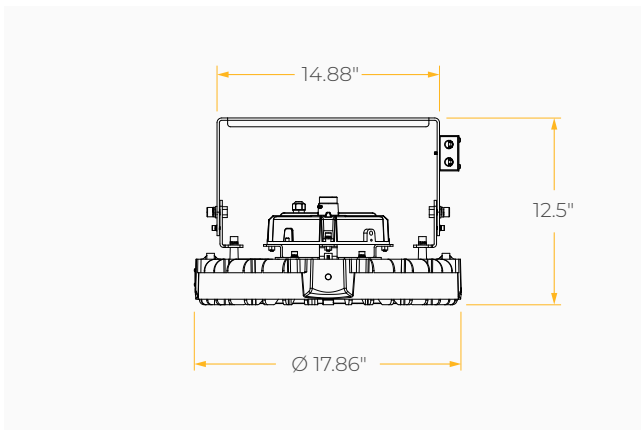
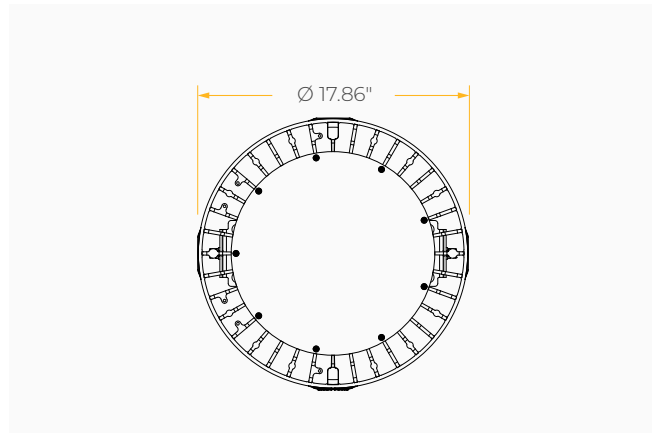
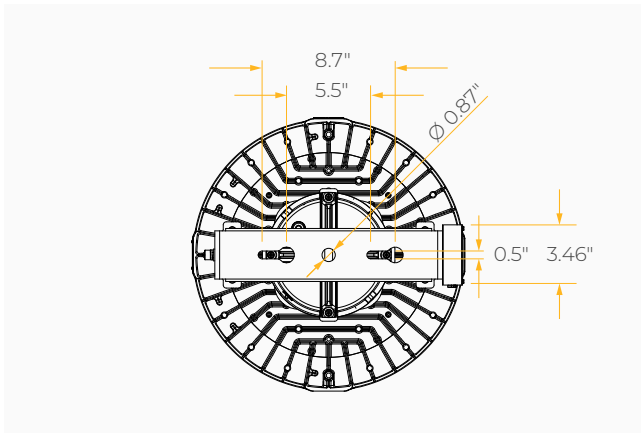


50° with Aluminum Shroud



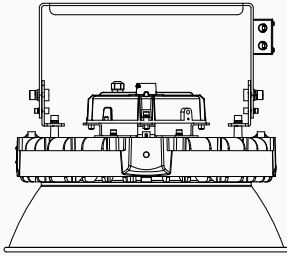
WD with Aluminum Shroud

DIMENSIONS

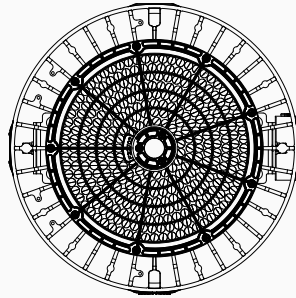


ACCESSORIES

Aluminum Shroud



Wire Guard



APPEARANCE

300W



400W



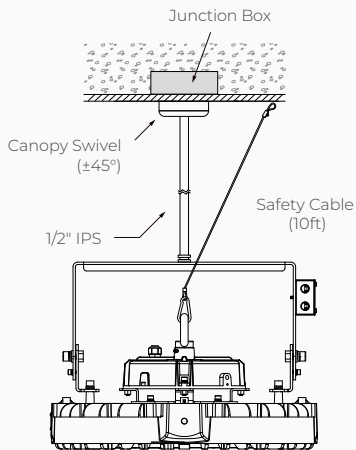
500W



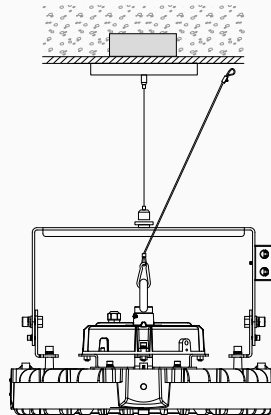
MOUNTING OPTIONS*

*Junction Box not included

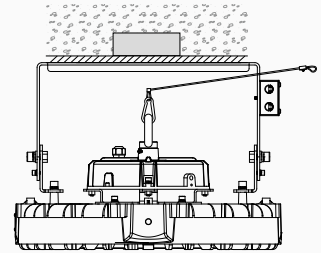
Stem Mount



Adjustable Cable Mount



Bracket



Uplight Stem Mount

